

BF01 Bulbex

Dome head · Aluminium body · Aluminium stem · Multi-grip · Folding
3.2 mm (1/8") - 4.8 mm (3/16")

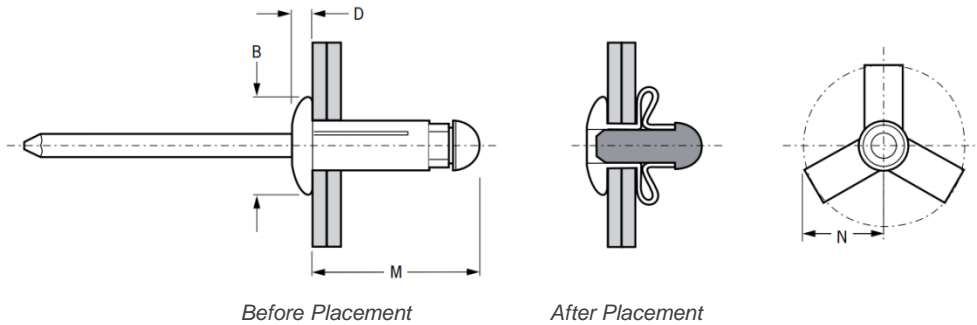
Features

- Split tail formation provides a very large blind side bearing area against the rear sheet
- Spreads the tail bearing load/clamp load on the rear sheet providing high resistance to pull-out loads
- Multi-grip capability accommodates wide variations in material thickness
- Ideal for use with plastic and low strength material
- Retained stem avoids damage, electrical problems or rattling caused by loose stems



Material

- Body: Aluminium alloy, natural (1/8": 5154, 5/32": 5754, 3/16": 5052)
- Stem: Aluminium alloy, natural (1/8": 5154, 5/32": 5052, 3/16": 5052)



Part No.	Size ø	Grip Range		Hole Size		M max.	øB max.	D max.	N ref.	Shear (typical) kN	Tension (typical) kN
		min.	max.	min.	max.						
AD44ALS	3.2 (1/8")	0	6.4	3.4	3.5	19.7	6.7	1.2	7.5	0.40	0.50
0BF01-00516	4.0 (5/32")	1.0	3.0	4.2	4.5	16.0	8.2	1.6	5.8	0.60	1.00
0BF01-00523		1.0	7.0			21.2			8.0		
0BF01-00525		1.0	8.5			22.9			8.7		
0BF01-00531		5.0	12.0			27.6			9.0		
0BF01-00619	4.8 (3/16")	1.0	4.0	5.0	5.25	18.3	10.1	2.1	6.8	0.78	1.07
0BF01-00625		1.0	9.0			23.3			9.0		
0BF01-00630		4.0	12.0			27.1			11.2		



Can't find what you are looking for?

We can provide customized finishing and colouring.
Contact your nearest [Gripwell](#) team for assistance!